



**VICTAULIC EXHIBITION EVENT
COMPETITION
Texas Operations Challenge**

RULES:

- Competition is based upon accuracy of assembly and time. Fastest to assemble correctly wins.
- For each coupling/fitting not installed properly a 30 second penalty shall be enforced. i.e all bolts must be tightened and coupling must be bolt pad to bolt pad and pieces placed properly as diagramed.
- All pieces can be laid out according to each team's strategy as long as no coupling or fittings are pre-connected.
- Time starts when first fitting/coupling is touched and finished when the wrench/socket gun is placed on the floor.
- When each team has finished the assembly and been cleared. The team shall disassemble the kit for the next competition.
- At the beginning of each competition, the material can be laid out any which way, as long as no couplings are connected to pipe, fittings or valves.

PURPOSE:

- To properly install a Victaulic piping system as fast as possible.
- Hands on experience of the advantages of Victaulic as to a flanged system.

ITEMS REQUIRED BY TEAMS:

- Teams will not need any tools.
- Steel tipped boots are recommended but not required

AVERAGE EXPECTED TIMES:

- 5 to 10 minutes

JUDGES:

- Victaulic will provide judges. They will be determined before the competition.

AWARDS:

- Top team wins trophy

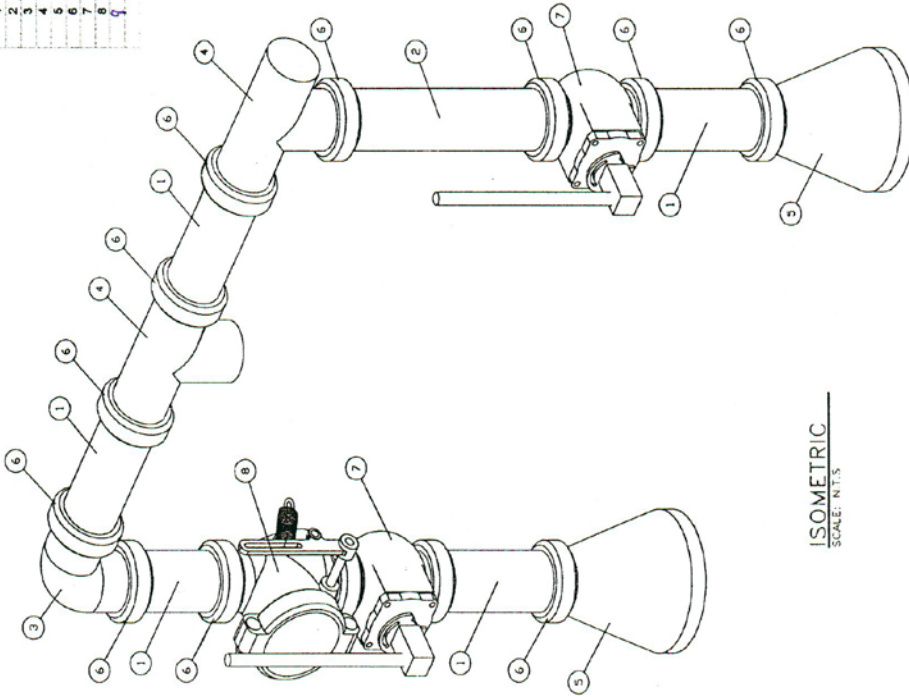
MATERIALS PROVIDED:

- Wrenches and sockets.
- One battery operated socket driver.
- Victaulic will provide the kit. Includes pipe, couplings, fittings, valves.

CAST IRON PIPE DEMONSTRATION KIT

4" x 12" GRV x GRV PIPE	5 PCS.
4" x 23" GRV x GRV PIPE	1 PC.
4" 90 DEG. ELBOW	1 PC.
4" TEE	2 PCS.
4" S/31 COUPLINGS 'M' GASKET	13 PCS.
4" PLUG VALVES S-365 w/LH	2 PCS.
4" CHECK VALVE S-317 w/L&S	1 PC.
10" X 4" CONCENTRIC REDUCER	2 PCS.
1-1/16" SOCKET & WRENCH	1 PC.

MARK	DESCRIPTION	SIZE	LENGTH	QUANTITY
1	D.I. PIPE CLASS 53 (GRV X GRV)	4"	1'-11"	5
2	D.I. PIPE CLASS 53 (GRV X GRV)	4"	1'-11"	1
3	VIC 90 DEG ELBOW #10-C	4"		1
4	VIC TEE #20-C	4"		2
5	VIC CONCENTRIC REDUCER #50-C	10"x4"		2
6	VIC RIGID COUPLING STYLE 31	4"		13
7	VIC PLUG VALVE SERIES 385 W/LH	4"		2
8	VIC CHECK VALVE SERIES 317 W/L & S	4"		1
9	SOCKET & MOUNT			1



ISOMETRIC
SCALE: N.T.S.

Victaulic CONSTRUCTION PIPING SERVICES
Partnership of America

PROJECT: CAST IRON PIPE DEMONSTRATION PROJ.# SAMPLE

SYSTEM DEMONSTRATION

REF. DWG: _____

DATE: 06/19/03 DRAWING NUMBER REV
 CHK BY: BLS DATE: 06/19/03 SAMPLE 0

THIS DRAWING IS UNDIMENSIONED AND REFLECTS INFORMATION PROVIDED TO US.
 ALL BILLS OF MATERIAL AND DRAWING WORK MUST BE VERIFIED PRIOR TO
 PROCUREMENT AND INSTALLATION.